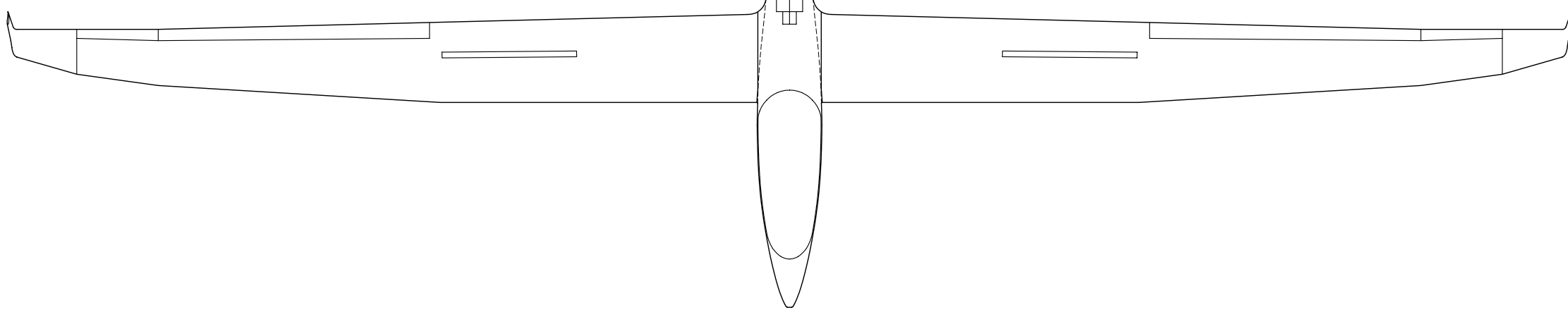
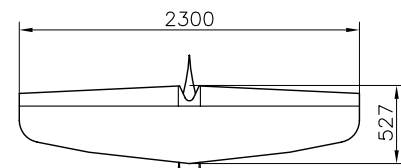
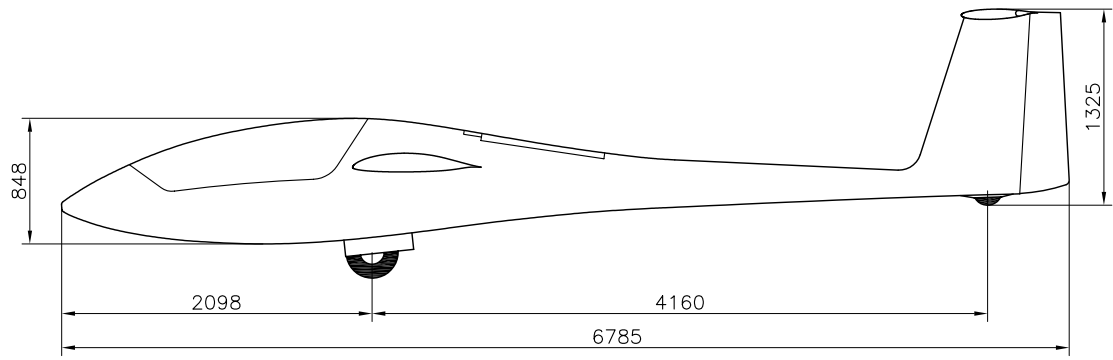
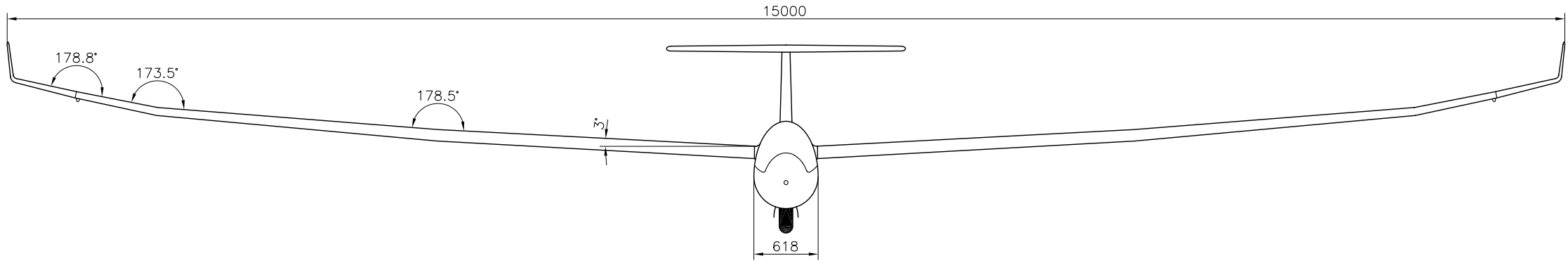


*DLR-27*





*Dissolus-2T*

